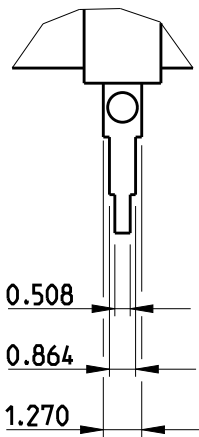
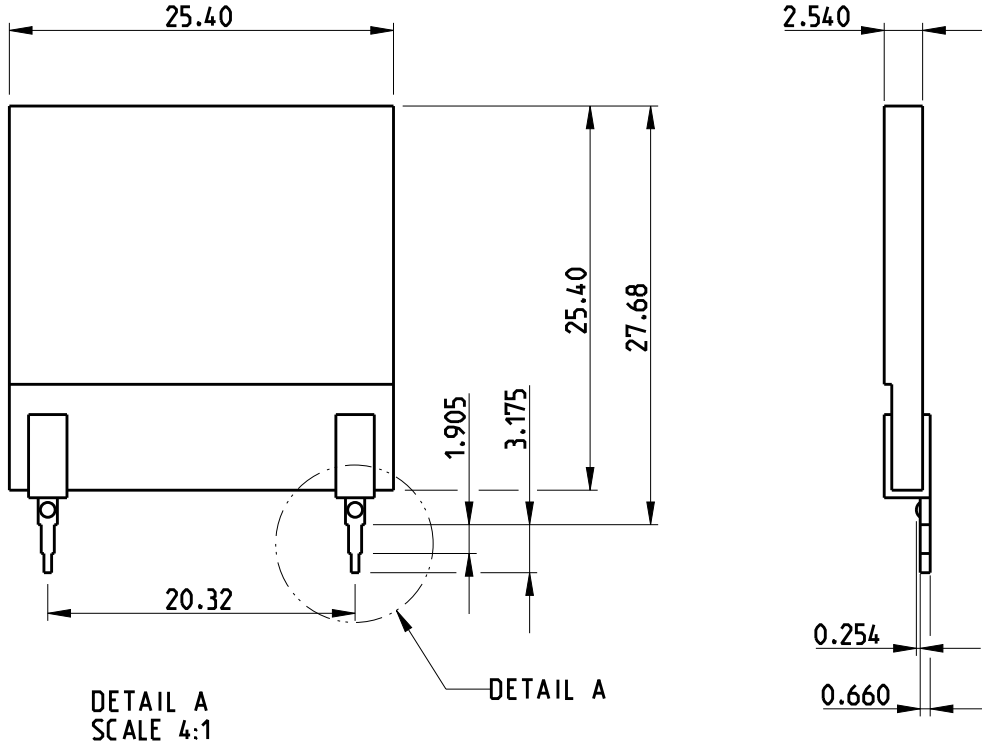
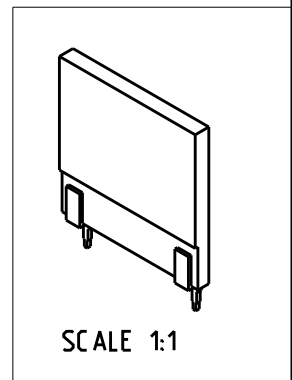


LOC	DIST	REVISIONS					
E	B	P	LTR	DESCRIPTION	DATE	DWN	APVD
			BA	NEW RELEASE	02AUG2012	KR	TN

FOR FURTHER INFORMATION SEE DATA SHEET FOR SERIES MPC - HIGH POWER RESISTORS



RoHS Compliant



2008

RELEASED FOR PUBLICATION

ALL RIGHTS RESERVED.

THIS DRAWING IS UNPUBLISHED.

BY -

© COPYRIGHT 2008

DIMENSIONS: mm	DWN RAGHAVENDRA K	02AUG2012	MATERIAL	-	FINISH	-
	CHK ALLAN P	02AUG2012				
TOLERANCES UNLESS OTHERWISE SPECIFIED:	APVD TONY N	02AUG2012				
0 PLC ±0.2	PRODUCT SPEC	-	NAME HIGH POWER RESISTORS			
1 PLC ±0.1	-	-	SERIES MPC 10			
2 PLC ±	APPLICATION SPEC	-	SIZE	CAGE CODE	DRAWING NO	RESTRICTED TO
3 PLC ±	-	-	A 4	00779	C-1623775	-
4 PLC ±	WEIGHT	-	CUSTOMER DRAWING			
ANGLES ±5°			SCALE	2:1	SHEET	1 OF 1
			REV BA			